



**Luoyang JCB Bearing Technology Company Limited**

**32-40 3550\_2-07490**

**SLEWING BEARING**

**THREE ROW ROLLER SLEWING BEARING**





# Luoyang JCB Bearing Technology Company Limited

## CONTENTS

01.

MAIN SPECIFICATION

02.

TECHNICAL INFORMATION

03.

MANUFACTURE & INSPECTION

04.

PACKING AND STORAGE

05.

WARRANTY & CERTIFICATE



**Luoyang JCB Bearing Technology Company Limited**

**32-40 3550\_2-07490**

01

## MAIN SPECIFICATION

- [REFERENCE DRAWING](#)
- [SPECIFICATION](#)
- [RAW MATERIAL](#)
- [LUBRICATIONA](#)
- [BOLT HOLES TYPE & BOLTS](#)
- [CORROSION PROTECTION](#)

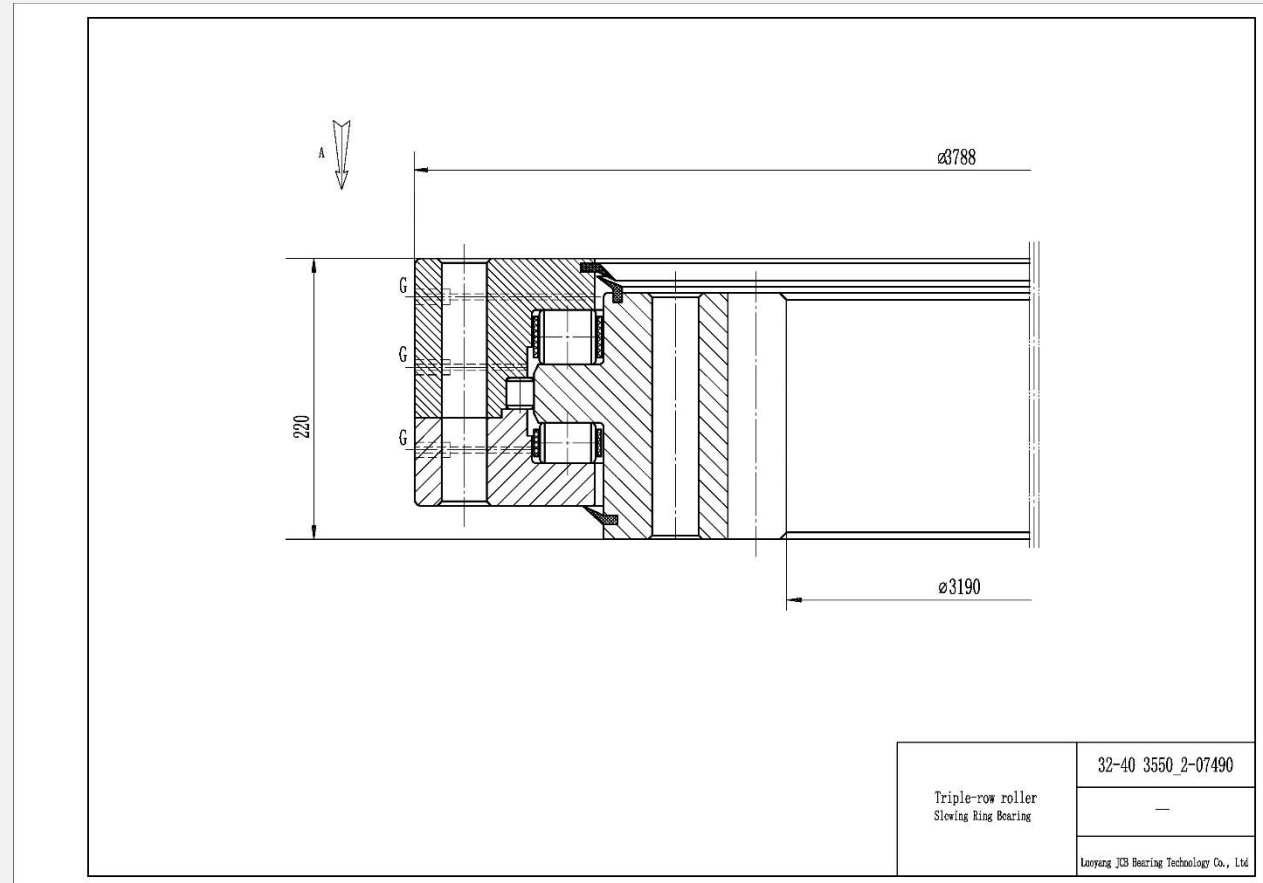


Luoyang JCB Bearing Technology Company Limited

32-40 3550\_2-07490

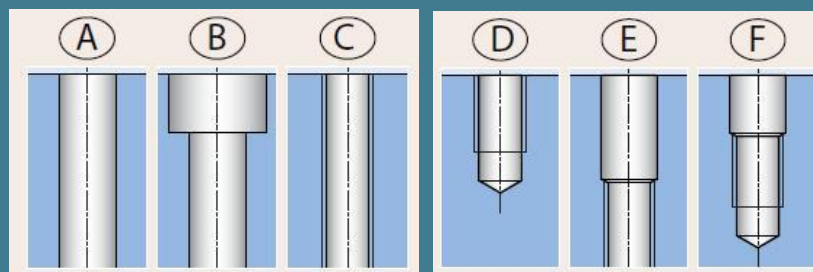
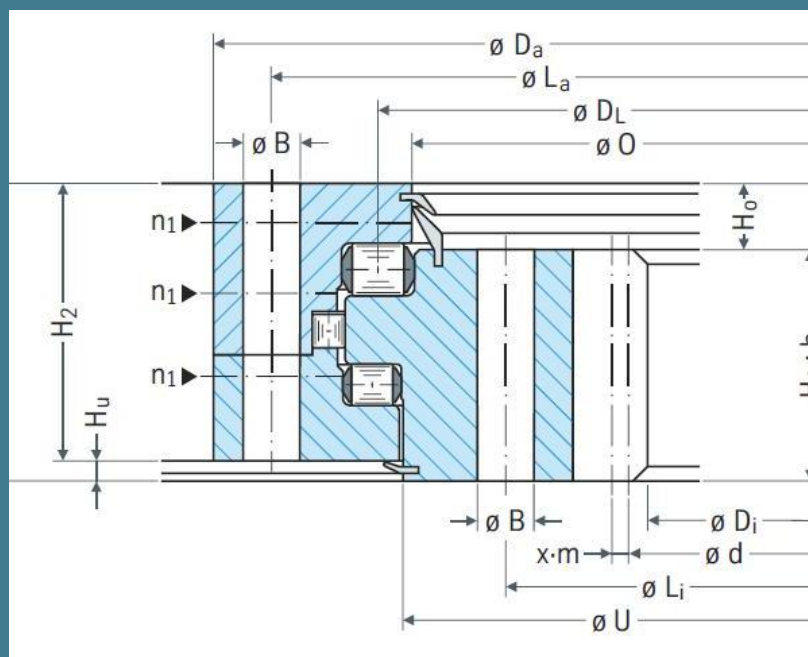
## REFERENCE DRAWING

This drawing is reference for user, if user request for formal drawing , please contact with us: [sales@jcb-bearing.com](mailto:sales@jcb-bearing.com), the official drawing will be submitted to them.



# SPECIFICATION

## 32-40 3550\_2-07490



- Inner diameter (Di) :3190
- Outer diameter (Da) :3788
- Overall height (H) :220
- Outer ring height (H2):210
- Inner ring height (H1):170
- Weight: 4171 KG
- External bolt circle dia (La) : 3710
- Number of bolt holes per hole circle (na) :66
- External bolt hole type : Selected by user
- External bolt hole diameter(B) :39
- Internal bolt circle dia(Li): 3385
- Number of bolt holes per hole circle(ni): 66
- Internal bolt hole type : Selected by user
- Internal bolt hole diameter (B) :39
- Tooth number(z) :146
- Module of gear(m) :22
- Tooth width (b) : 170